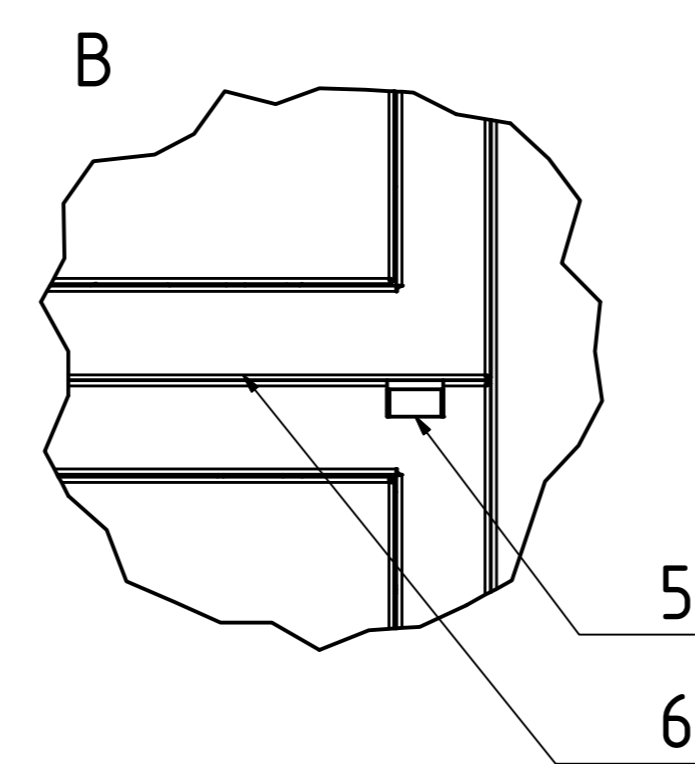
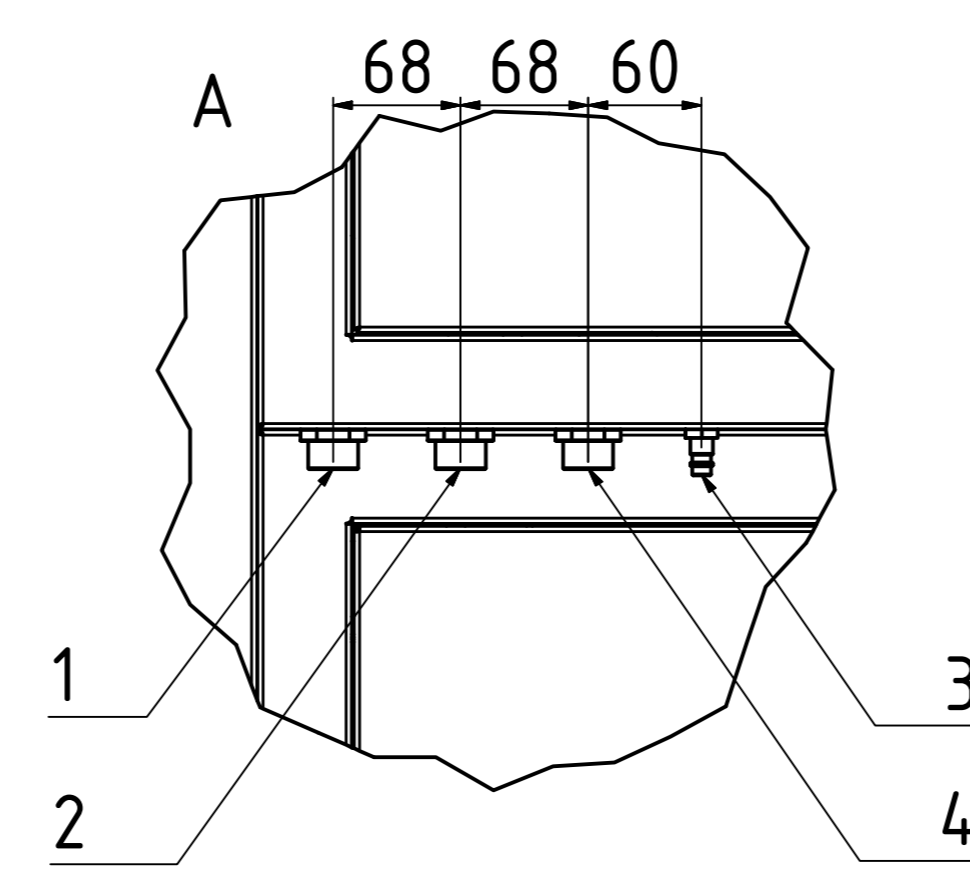
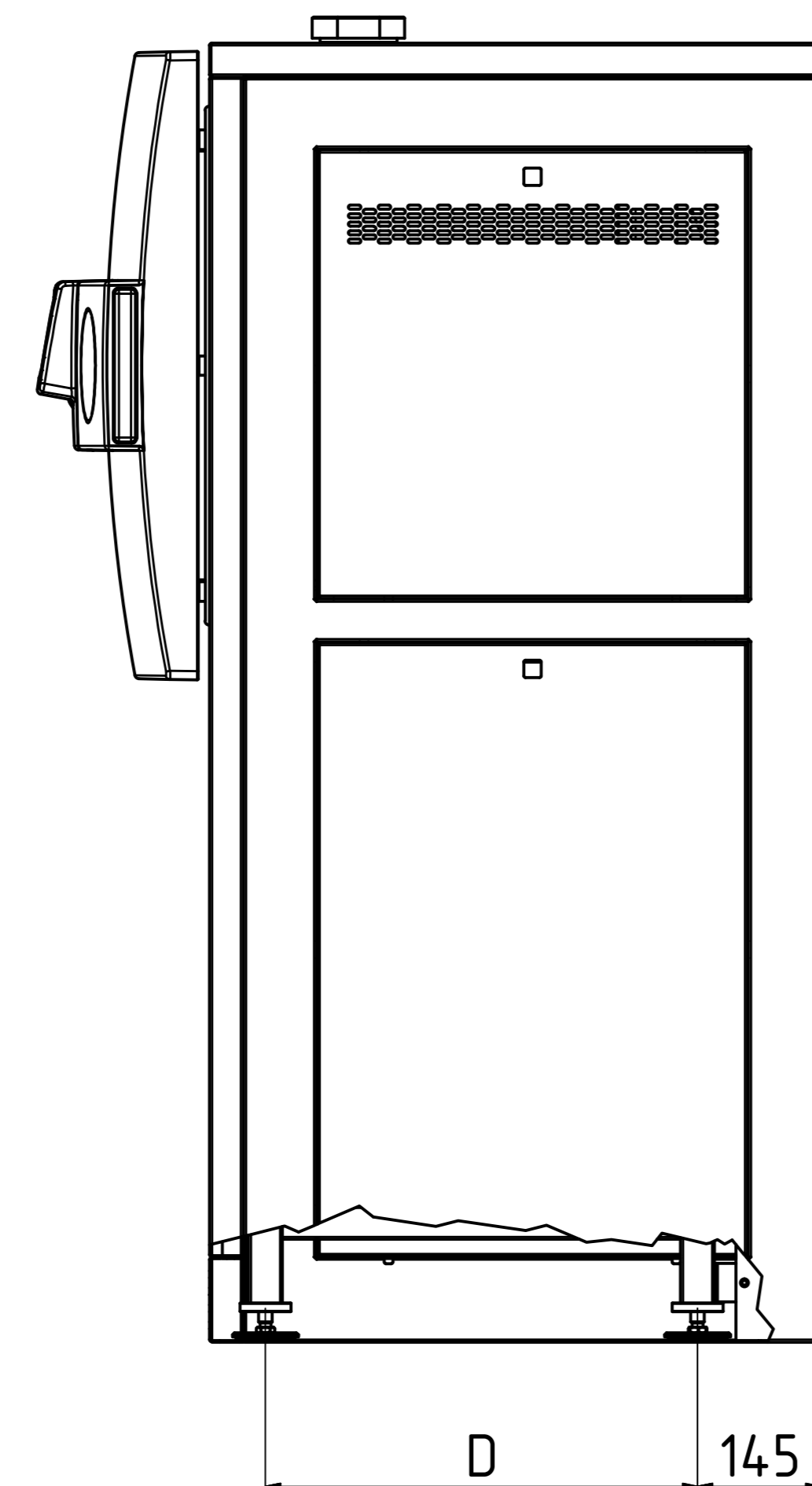
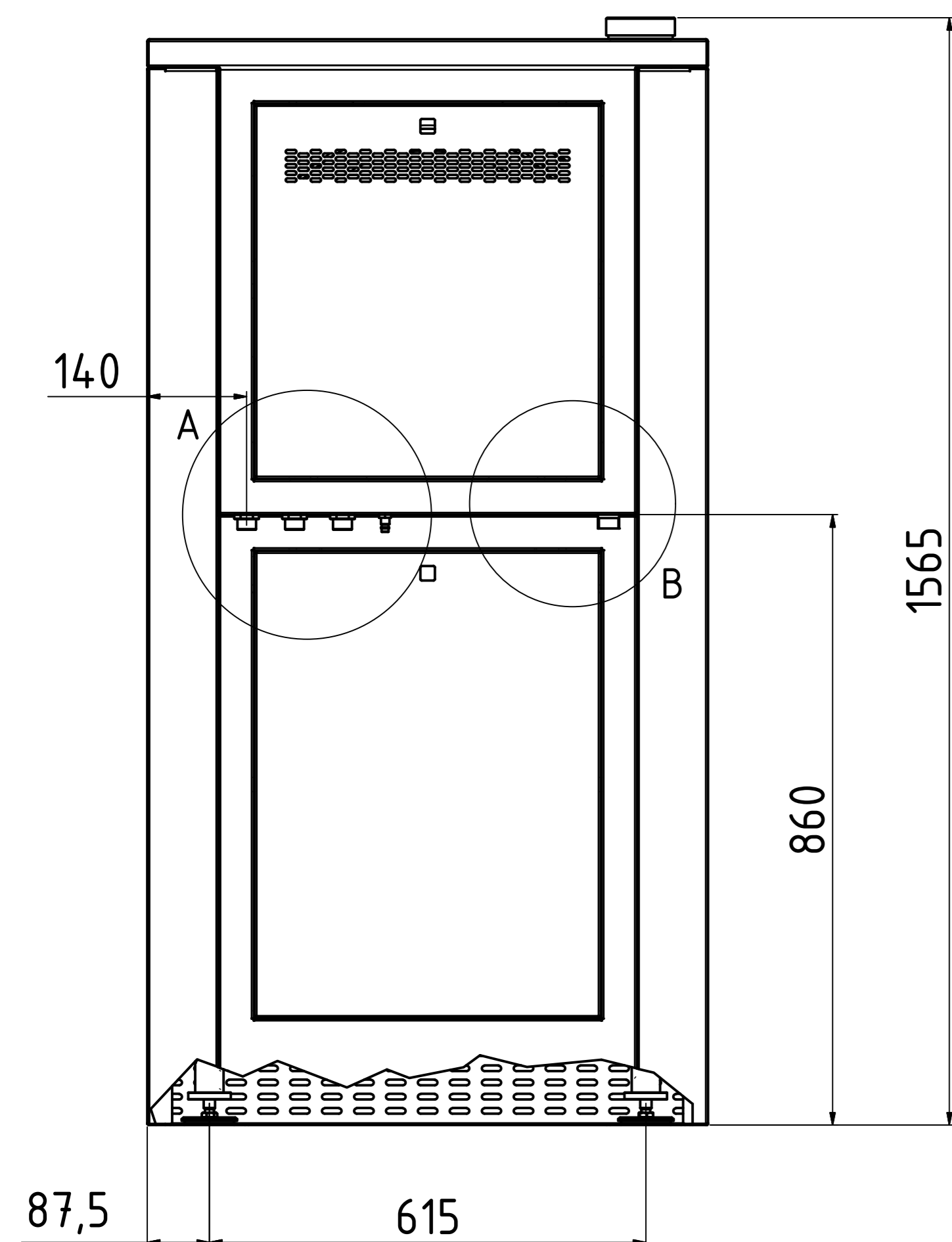
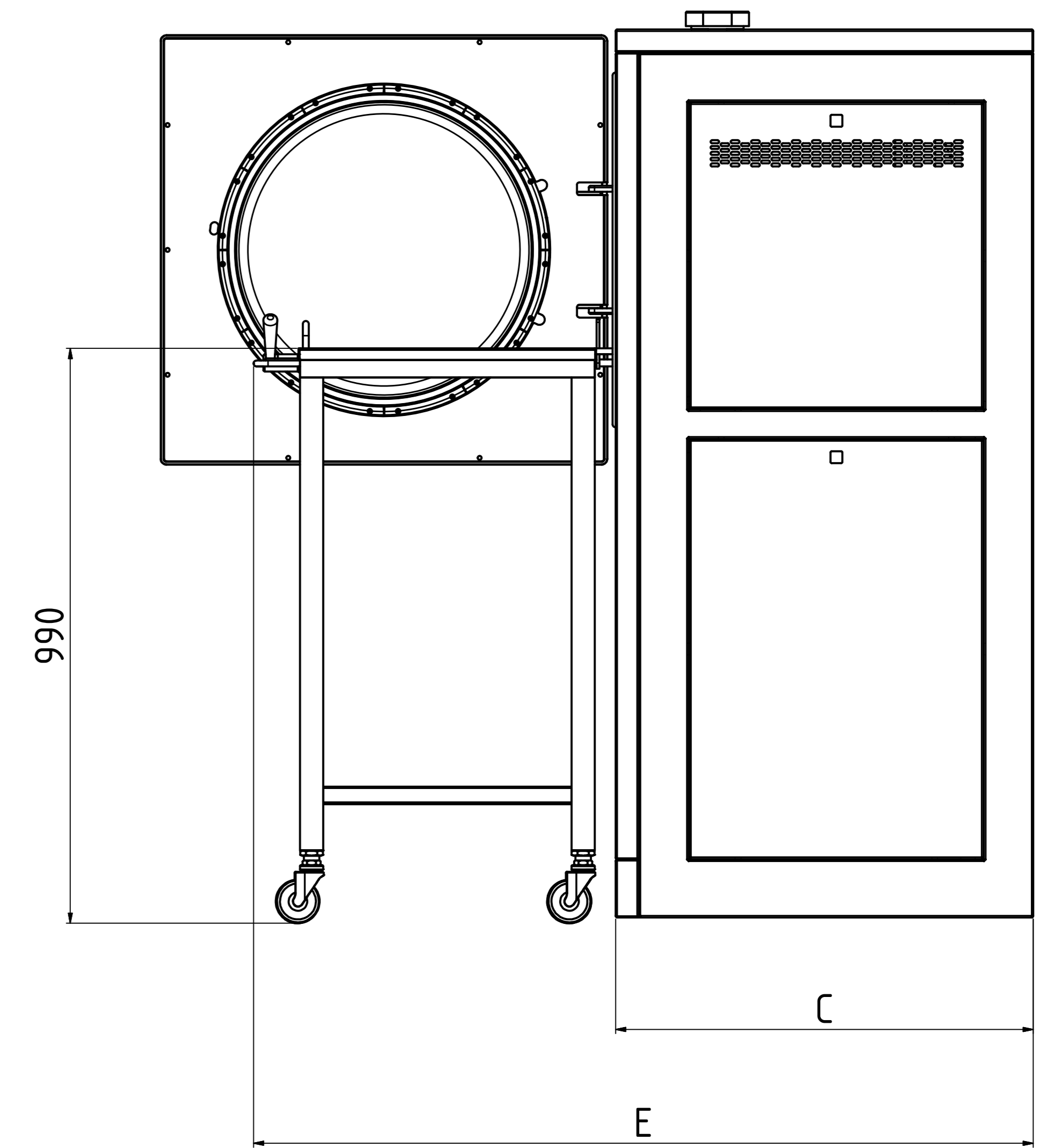
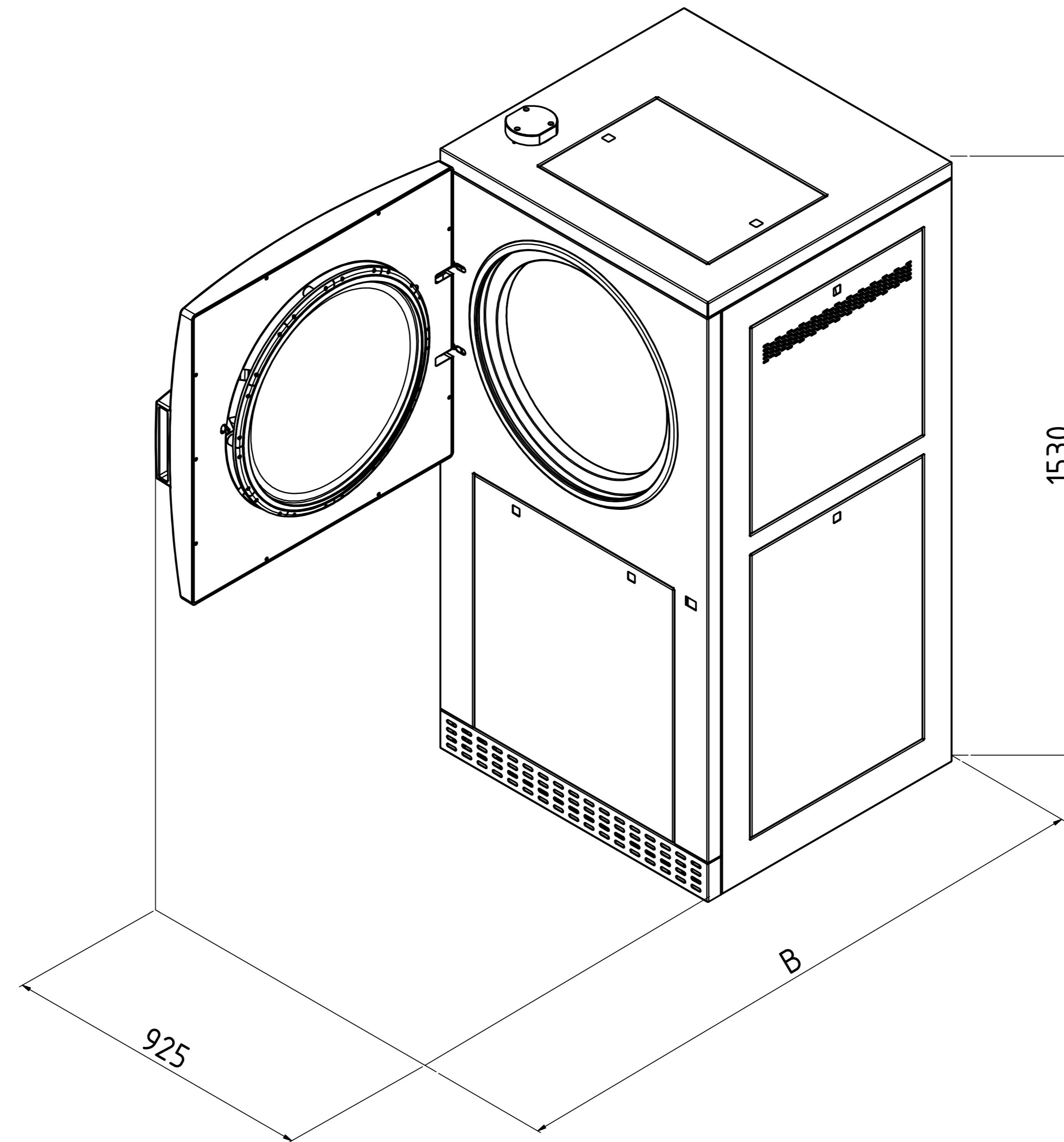
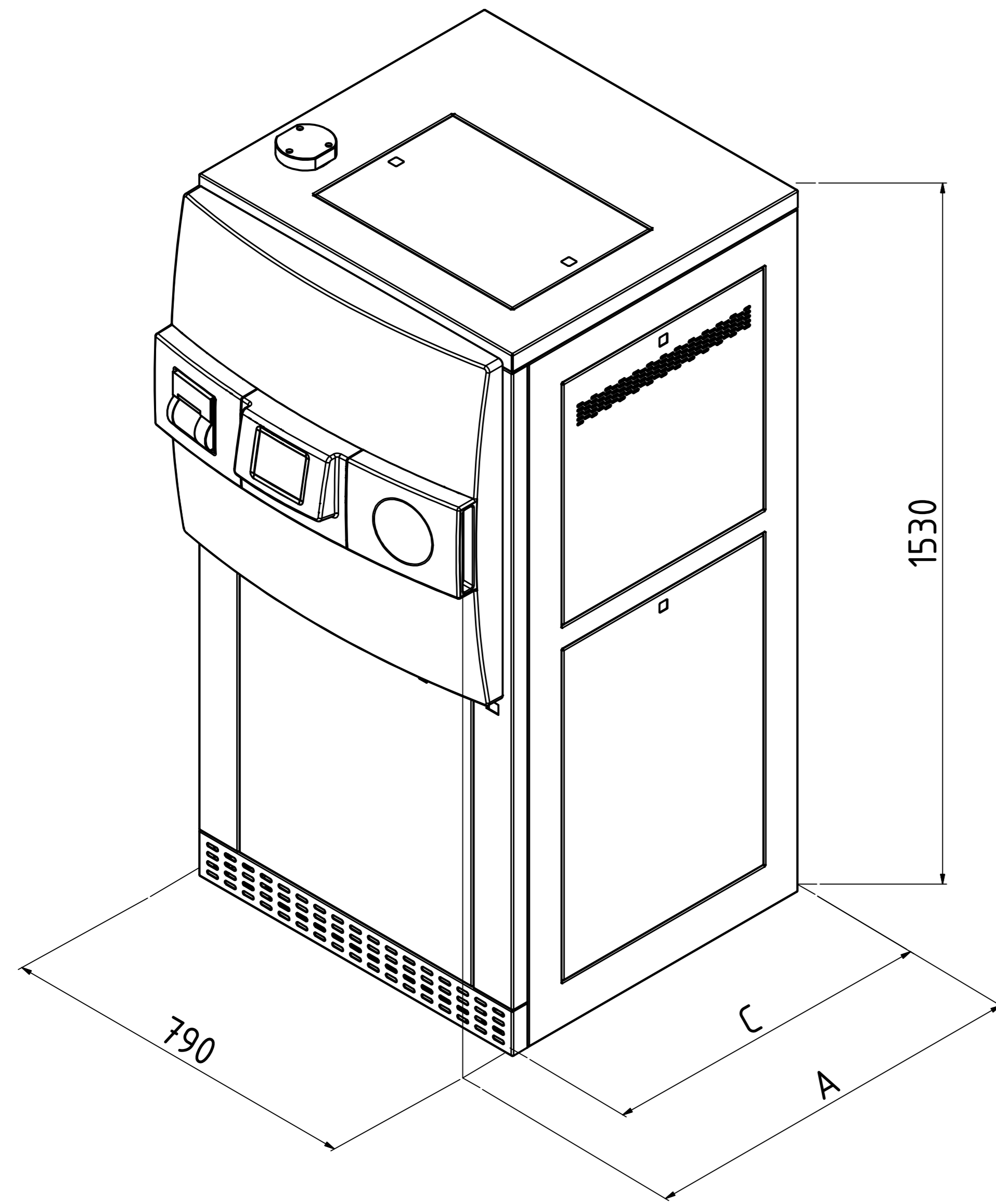


# Systemec HX-100 / HX-150 / HX-200



Technical data				
No.	Description	Size	HX	Comments
1	Drain	3/4" ET	X	Temperature-resistant installation (103°C in case of failure) Temperature controlled at 70°C (setable) Drain height max. ≤ 40cm above the floor
2	Tap water*	3/4" ET	X	≥ 1bar water pressure Σ alkaline earth ions ≤ 2,0 mmol/l, conductivity max. 300 µS/cm, 11°dH, 200mg/l CaCO <sub>3</sub>
3	Demineralized water*	3/4" ET	X	≥ 1bar water pressure Σ alkaline earth ions < 0,02 mmol/l, conductivity: 0,1 - 15 µS/cm
4	Compressed air	NW 7,2	0	min. 3-10bar / 50l/min., ≤ Class 4 according to DIN ISO 8573 Only with "water cooling with support pressure"
5	Power supply* <sup>2</sup>		X	3x400V+N+PE / 50/60Hz / 16 Ampere / CEE socket
6	Interface		X	RS-232 / RS-485 (Ethernet network and USB compatible)

	Art.-No.:	A	B	C	D	E	Heat emission	Net weight	Test weight* <sup>3</sup>
Systemec HX-100	2214	925	1505	720	509	1345	<700 Watt/h	ca.250 kg	ca.363 kg
Systemec HX-150	2215	1175	1755	970	759	1595	<800 Watt/h	ca.300 kg	ca.462 kg
Systemec HX-200	2216	1425	2005	1220	1009	1845	<900 Watt/h	ca.350 kg	ca.561 kg

X = Standard    0 = Optional    -- = Not Available    Length dimensions in mm

\* Other power and media connections available on request

\*<sup>2</sup> Other voltages available on request

\*<sup>3</sup> Test weight: chamber completely filled with water for pressure test

Contact area of the feet: 5026,5mm<sup>2</sup> per foot - Total 20106mm<sup>2</sup> for 4 pieces (Ø80mm)

Allgemein- toleranz ISO 2768 T1-m Datum Gezeichnet Gezeichnet Datei Name	Oberfläche Maßstab: Werkstoff: Bemerkung: Systemec HX-Ø500	Gewicht: Zng.-Nr.: AZ 2214-EN Rev.: 1 A0
---	--	---