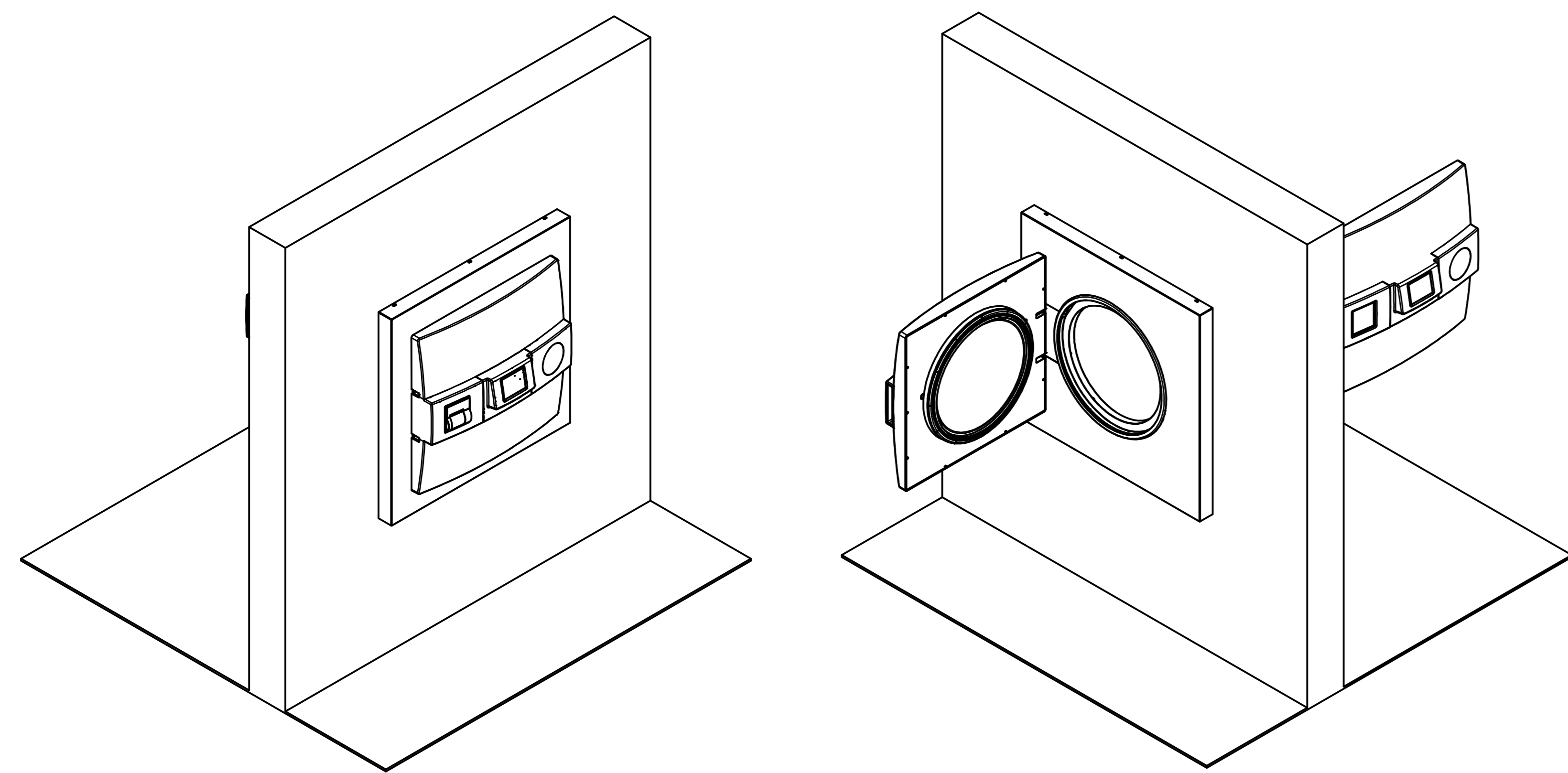
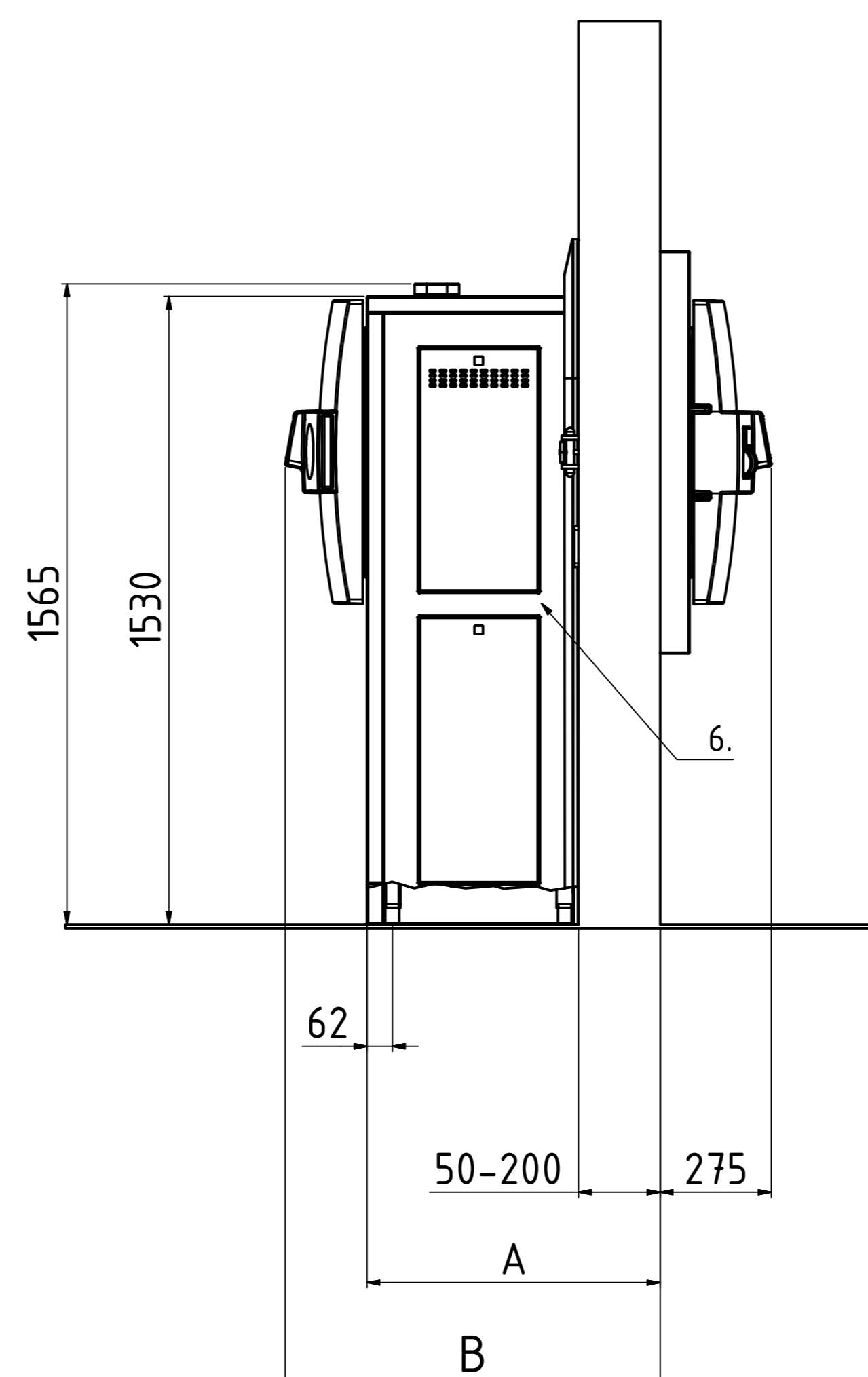


System HX-150-2D / HX-200-2D



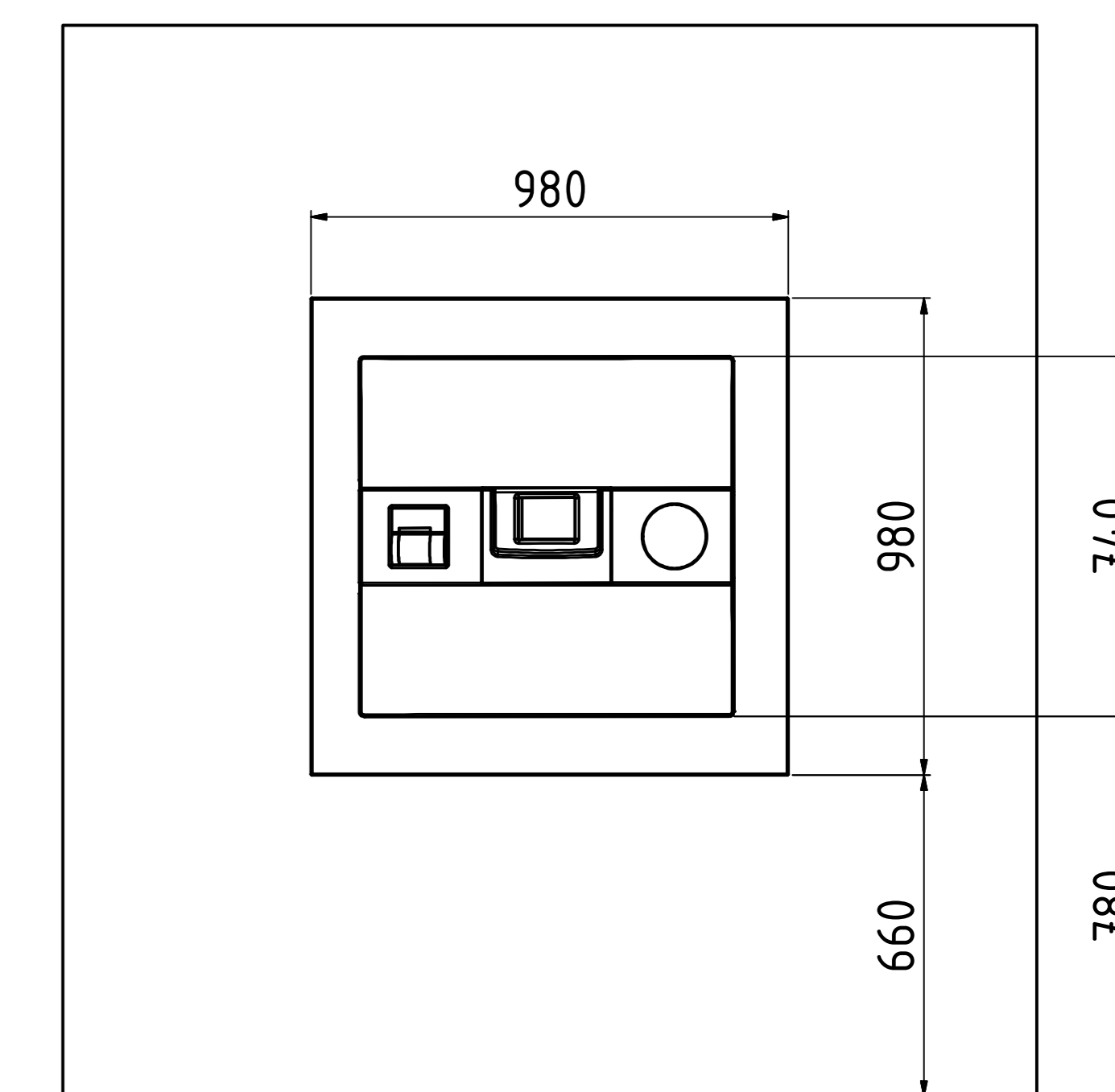
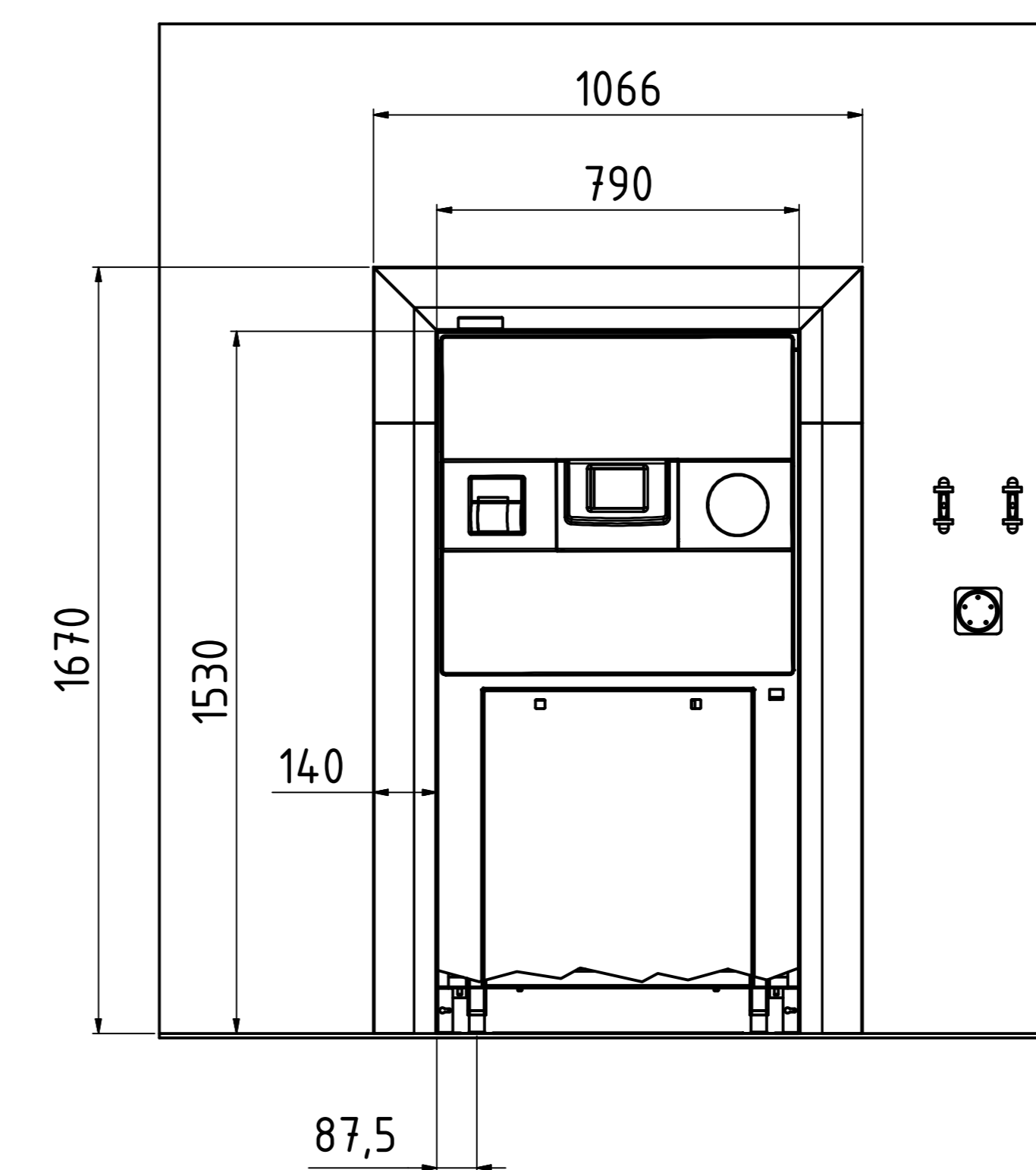
machine side

clean side

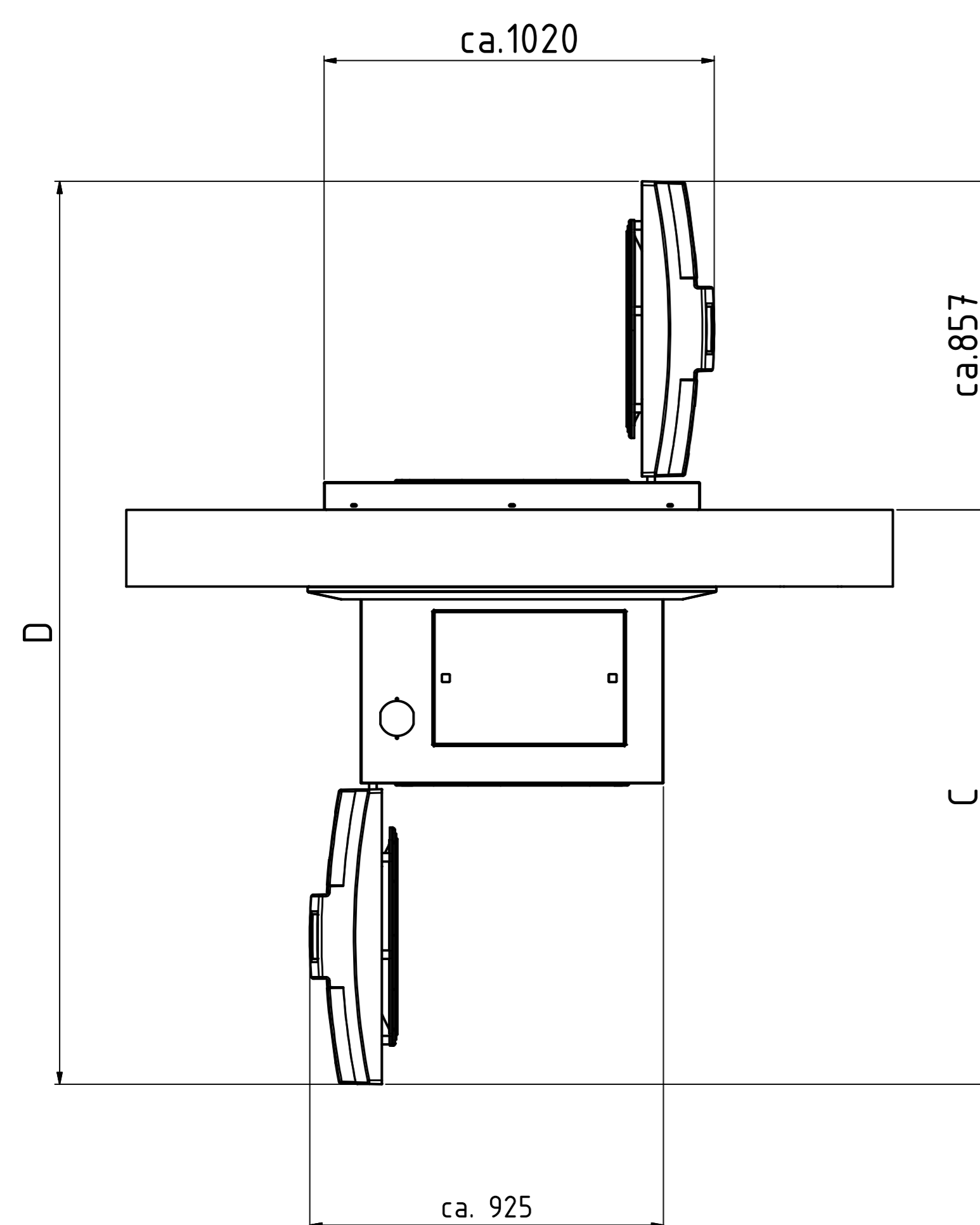


machine side

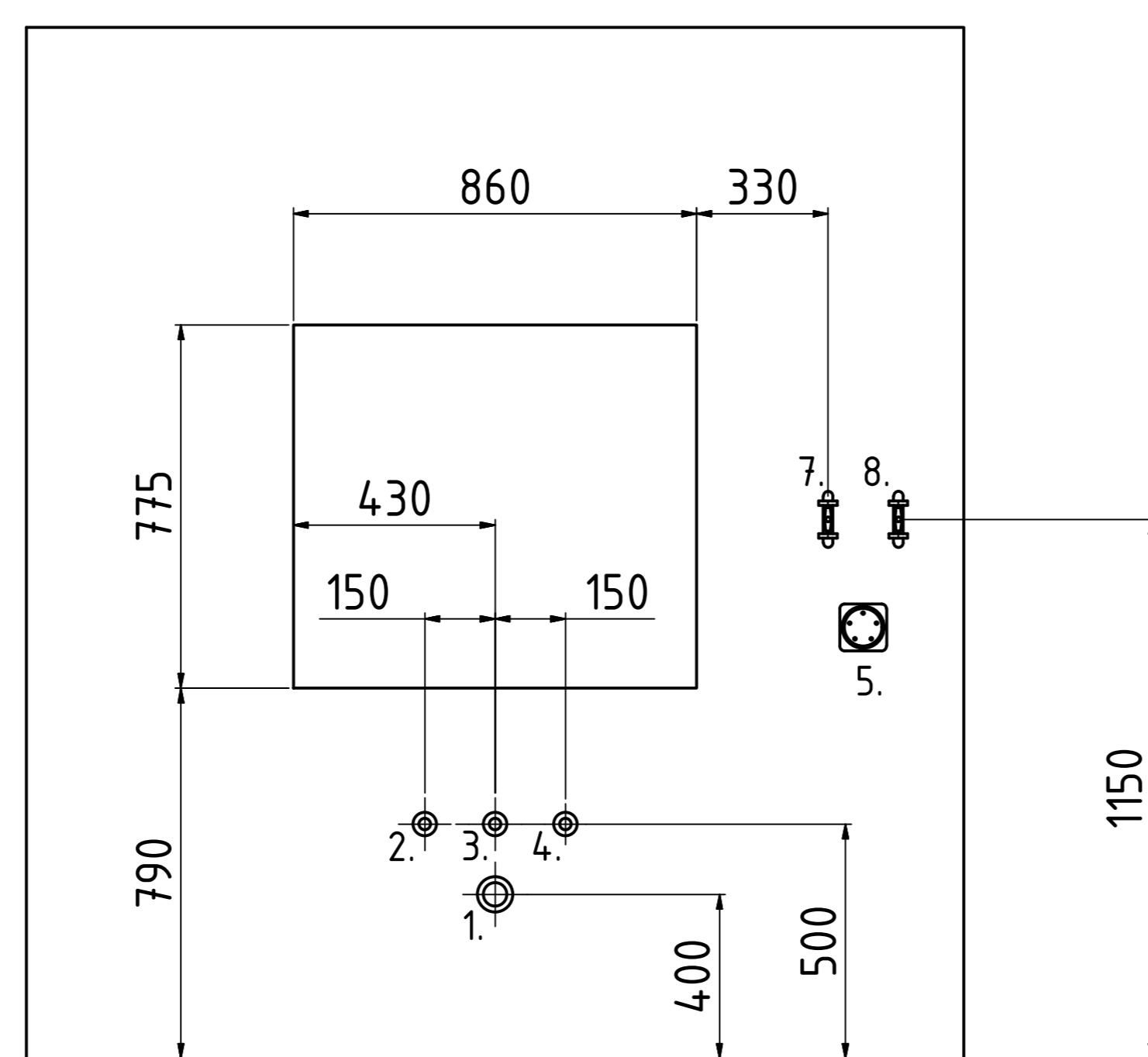
clean side



top view / opened



wall opening dimension



Technical data

No.	Description	Size	HX	Comments
1	Drain	3/4" ET	X	Temperature-resistant installation on site (103°C in case of failure) Temperature controlled at 70°C (setable) Drain height max. ≤ 40cm above the floor
2	Tpb water*	3/4" ET	X	≥ 1bar water pressure Σ alkaline earth ions ≤ 2,0 mmol/l, conductivity max. 300 µS/cm, 11°dH, 200mg/l CaCO3
3	Deminerlized water*	3/4" ET	X	≥ 1bar water pressure Σ alkaline earth ions < 0,02 mmol/l, conductivity: 0,1 - 15 µS/cm
4	Compressed air	NW 7,2	O	min. 3-10bar / 50l/min., ≤ Class 4 according to DIN ISO 8573, Only with "water cooling with support pressure"
5	Power supply* ²		X	3x400V+N+PE / 50/60Hz / 16 Ampere / CEE socket
6	Interface		X	RS-232 / RS-485 (Ethernet network and USB compatible)
7	Tap for tap water			
8	Tap for deminerlized water			

	Art.-No.:	A	B	C	D	E	Heat emission	Net weight	Test weight* ³
System HX-150-2D	2156	715	915	1500	2357	420	<800 W/h	ca.255 kg	ca.405 kg
System HX-200-2D	2207	970	1170	1750	2607	670	<900 W/h	ca.350 kg	ca.550 kg

X = Standard O = Optional -- = Not Available Length dimensions in mm

Contact area of the feet: 5026,5mm² per foot - Total 20106mm² for 4 pieces (Ø80mm)

The required space left and right of the unit for maintenance has to be at least 40cm. - Can be changed upon request!
Position of media connections can be upon on request!

- * Other media connections available on request
- *² Other voltages and single-phase available on request
- *³ Test weight: chamber completely filled with water for pressure test

Allgemein- toleranz ISO 2768 T1-m		Oberfläche	Masstab:	Gewicht:
Gezeichnet	Datum	Material	Werkstoff:	Bemerkung:
Gezeichnet	16.05.2016	Stahl	System HX-Ø500-2D	
Gezeichnet				
System HX-Ø500-2D			Zng.-Nr.: AZ 2156 EN	Rev.: 1
System HX-Ø500-2D				A0