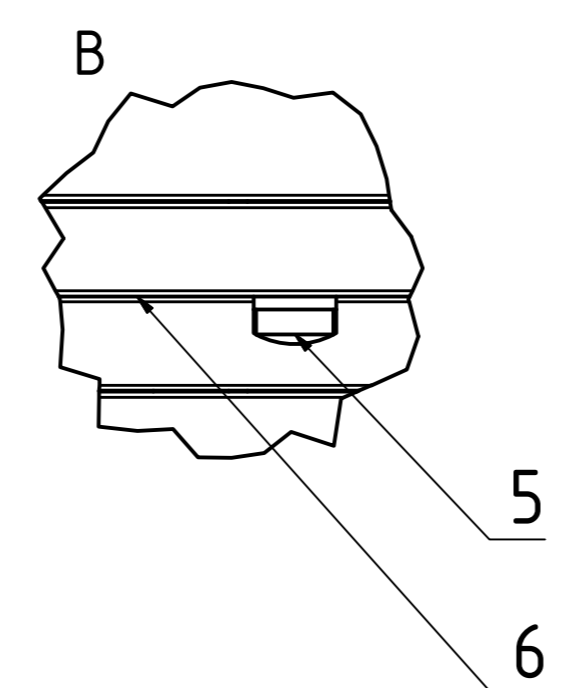
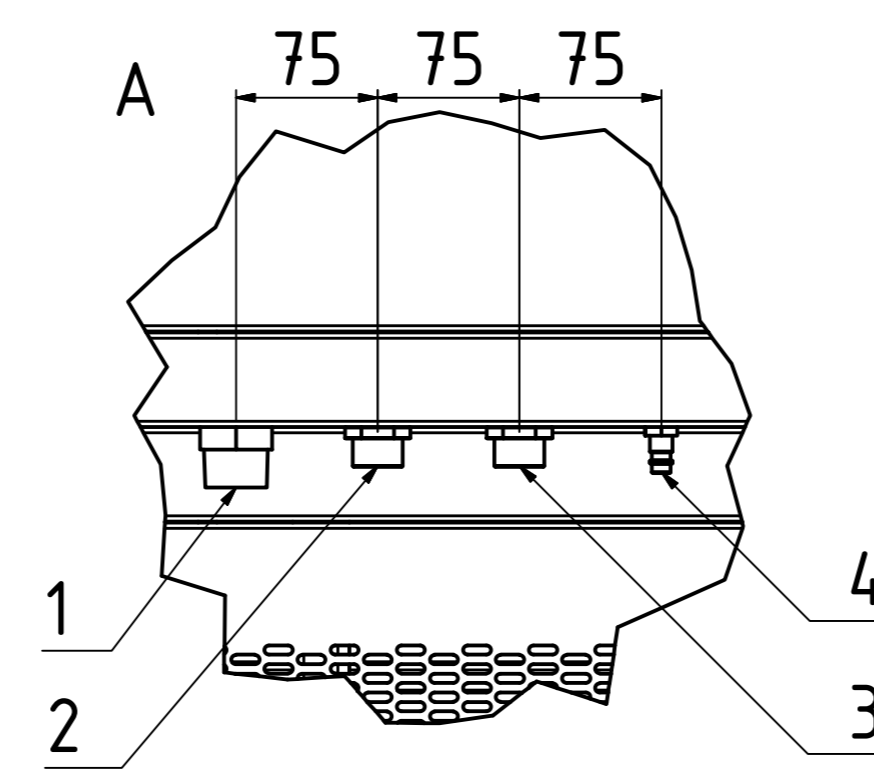
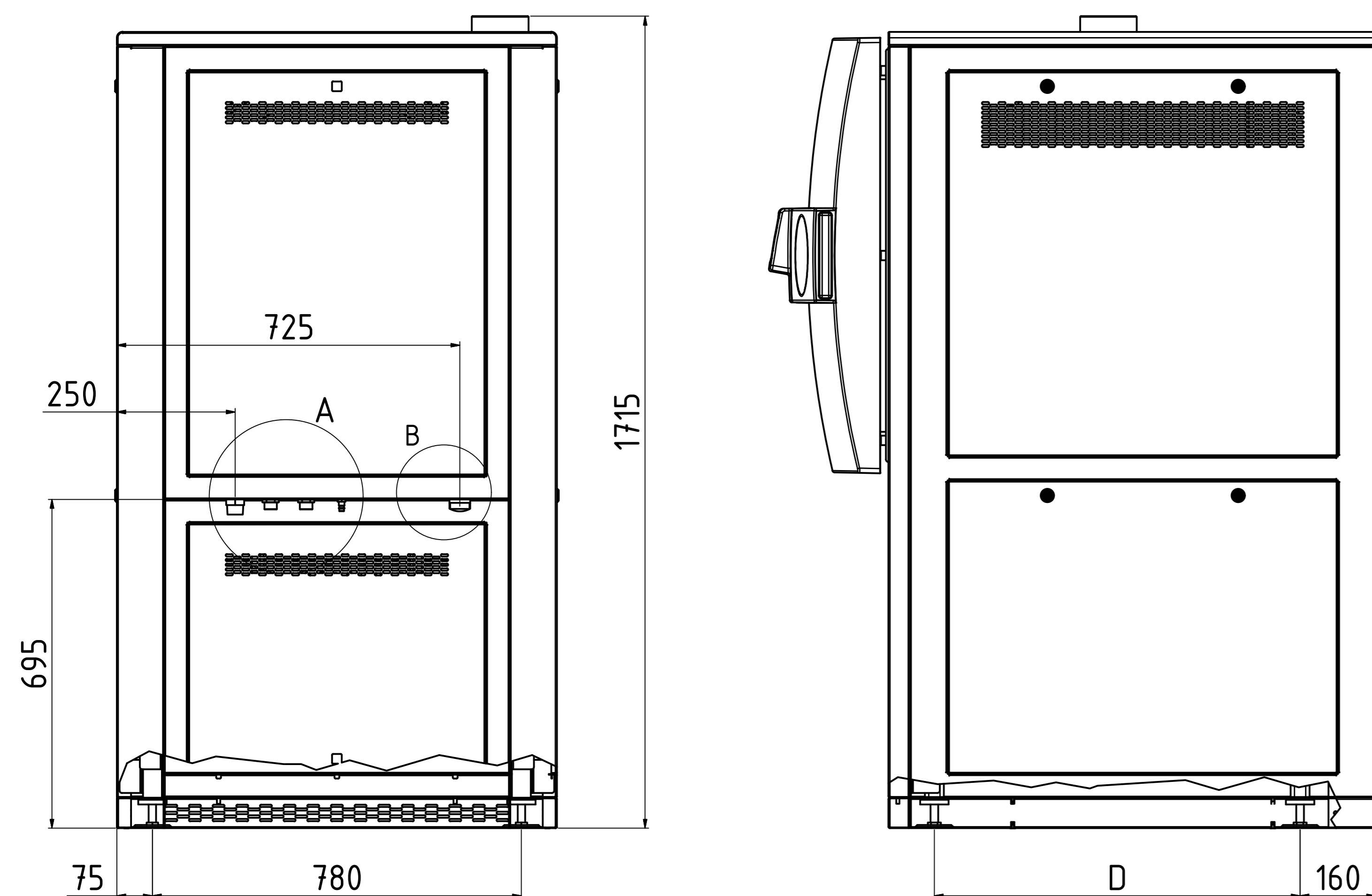
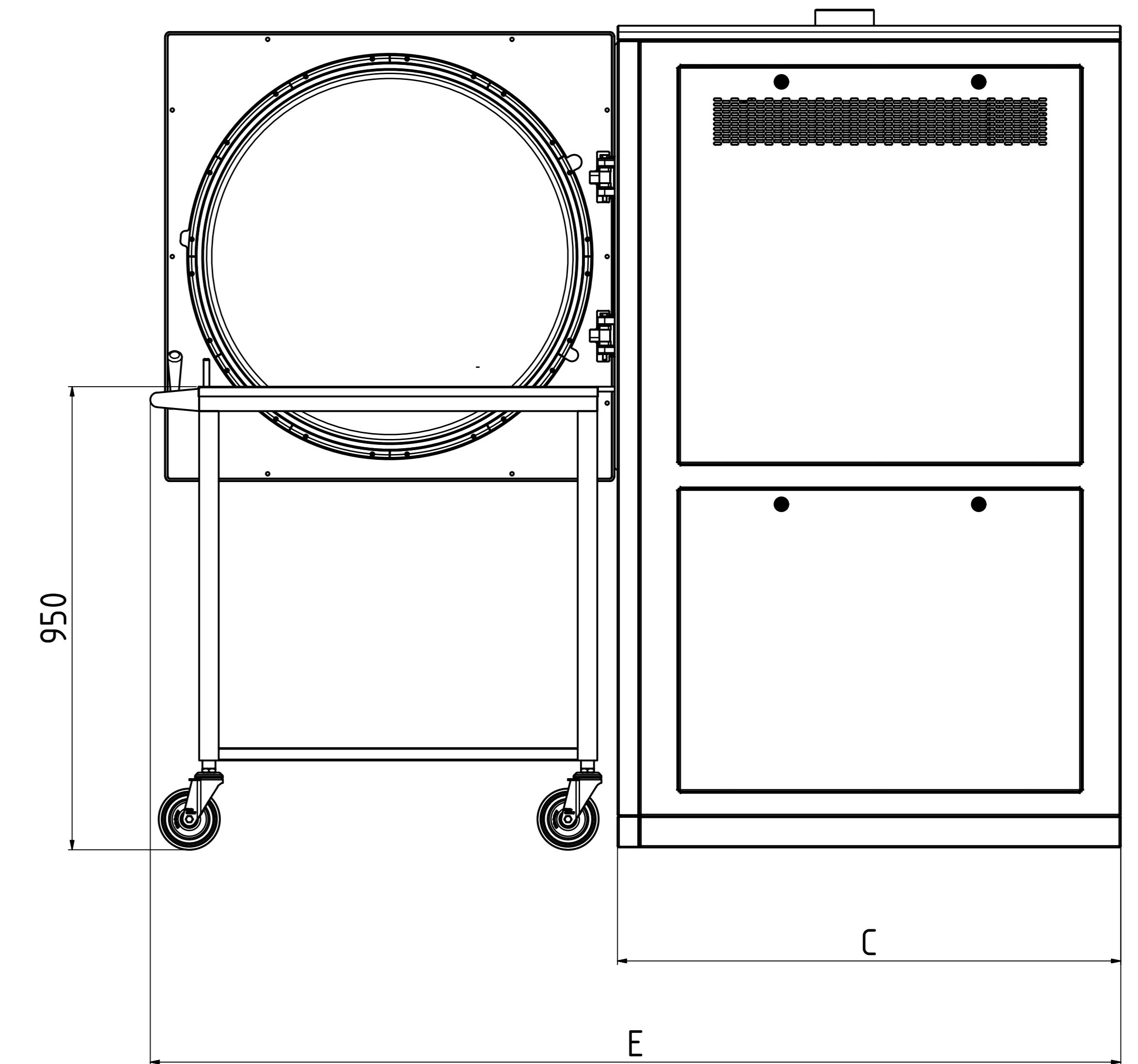
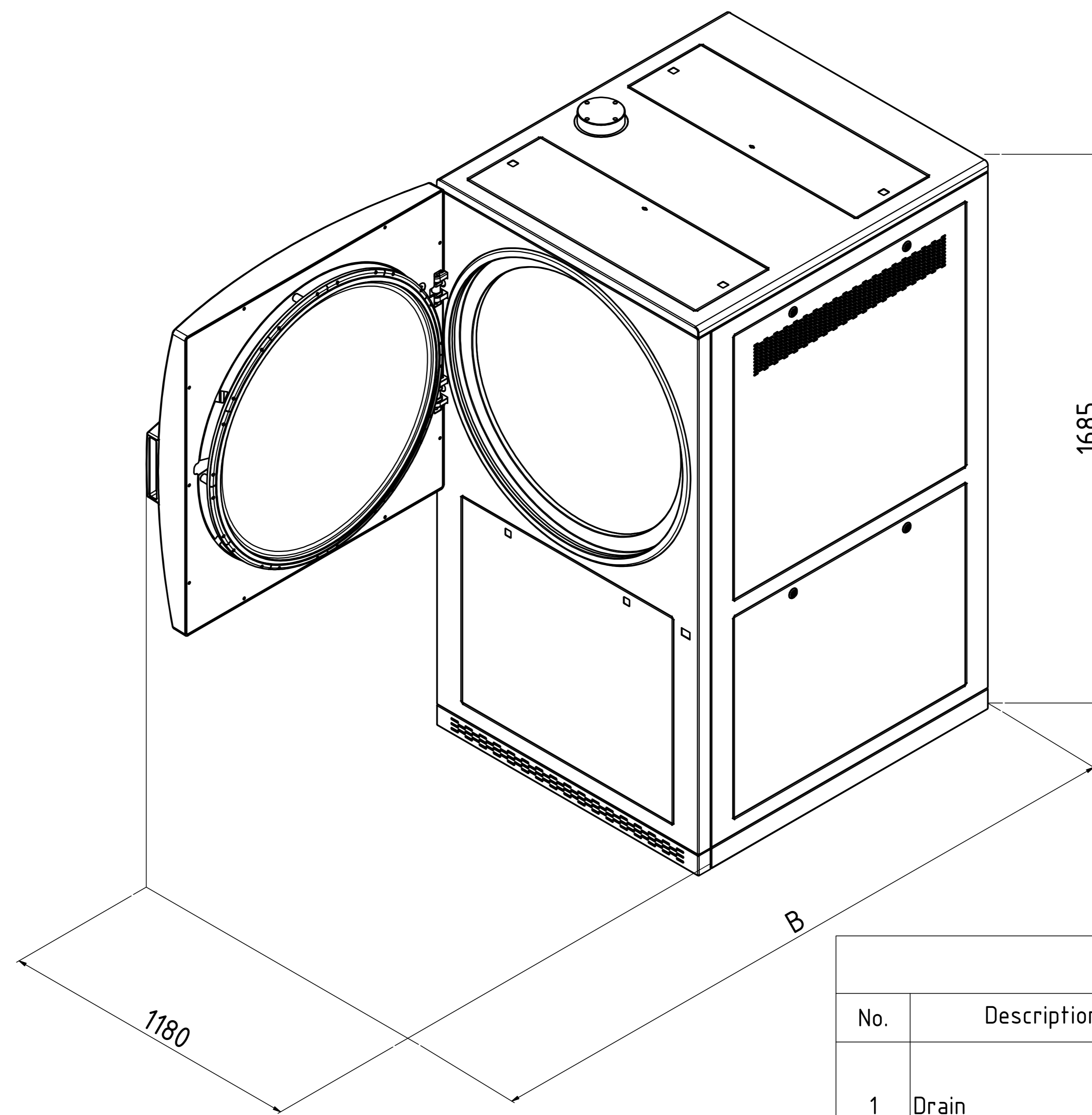
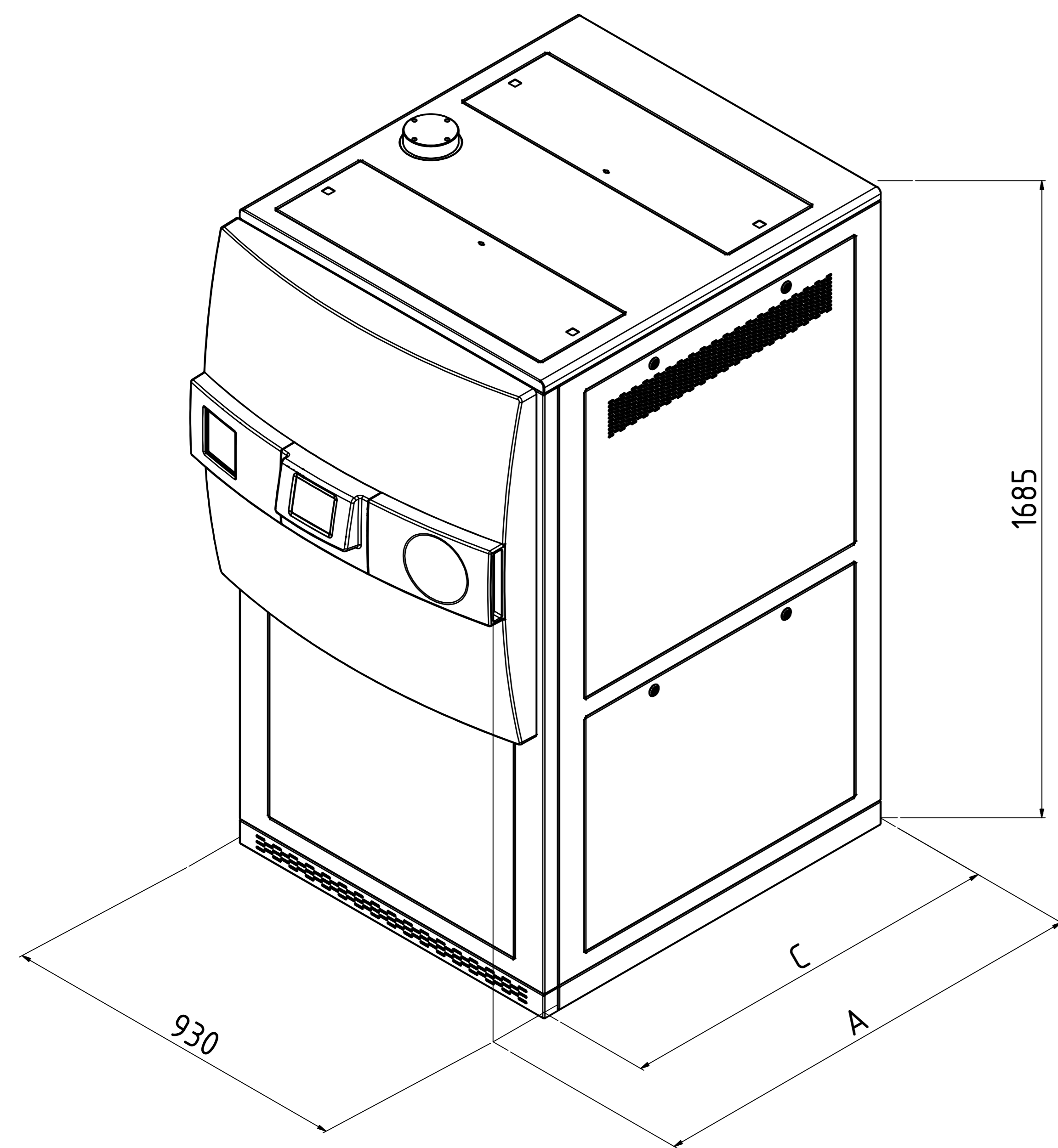


System HX-210 / HX-320 / HX-430 HX-540 / HX-650



Technical data					
No.	Description	Size	HX	Comments	
1	Drain	1" ET	X	Temperature-resistant installation (103°C in case of failure) Temperature controlled at 70°C (settable) Drain height max. ≤ 40cm above the floor	
2	Tap water*	3/4" ET	X	≥ 1bar water pressure Σ alkaline earth ions ≤ 2,0 mmol/l, conductivity max. 300 µS/cm, 11°dH, 200mg/l CaCO3	
3	Demineralized water*	3/4" ET	X	≥ 1bar water pressure Σ alkaline earth ions < 0,02 mmol/l, conductivity: 0,1 - 15 µS/cm	
4	Compressed air	NW 7,2	X	min. 7-10bar / 200l/min., ≤ Class 4 according to DIN ISO 8573	
5	Power supply* ²		X	3x400V+N+PE / 50/60Hz / 32 Ampere / CEE socket	
6	Interface		X	RS-232 / RS-485 (Ethernet network and USB compatible)	

	Art.-No.:	A	B	C	D	E	Heat emission	Net weight	Test weight* ³
System HX-210	2220	1035	1710	780	523	1480	<1000 W/h	450 kg	730 kg
System HX-320	2230	1285	1960	1030	773	1985	<1200 W/h	480 kg	865 kg
System HX-430	2240	1535	2210	1280	1023	2485	<1400 W/h	530 kg	1025 kg
System HX-540	2250	1785	2460	1530	1273	2985	<1600 W/h	600 kg	1203 kg
System HX-650	2260	2035	2710	1780	1523	3490	<1800 W/h	660 kg	1370 kg

X = Standard 0 = Optional -- = Not Available Length dimensions in mm

* Other power and media connections available on request

*² Other voltages available on request

*³ Test weight: chamber completely filled with water for pressure test

Contact area of the feet: 5026,5mm² per foot - Total 20106mm² for 4 pieces (Ø80mm)

Allgemein- toleranz ISO 2768 T1-m Datum Gezeichnet: 16.05.2016 Gezeichnet: [Name] Gezeichnet: [Name]	Oberfläche Maßstab: Werkstoff: Bemerkung: System HX-Ø750	Gewicht: Zng.-Nr.: AZ 2220 EN Rev.: 1 A0
--	--	---