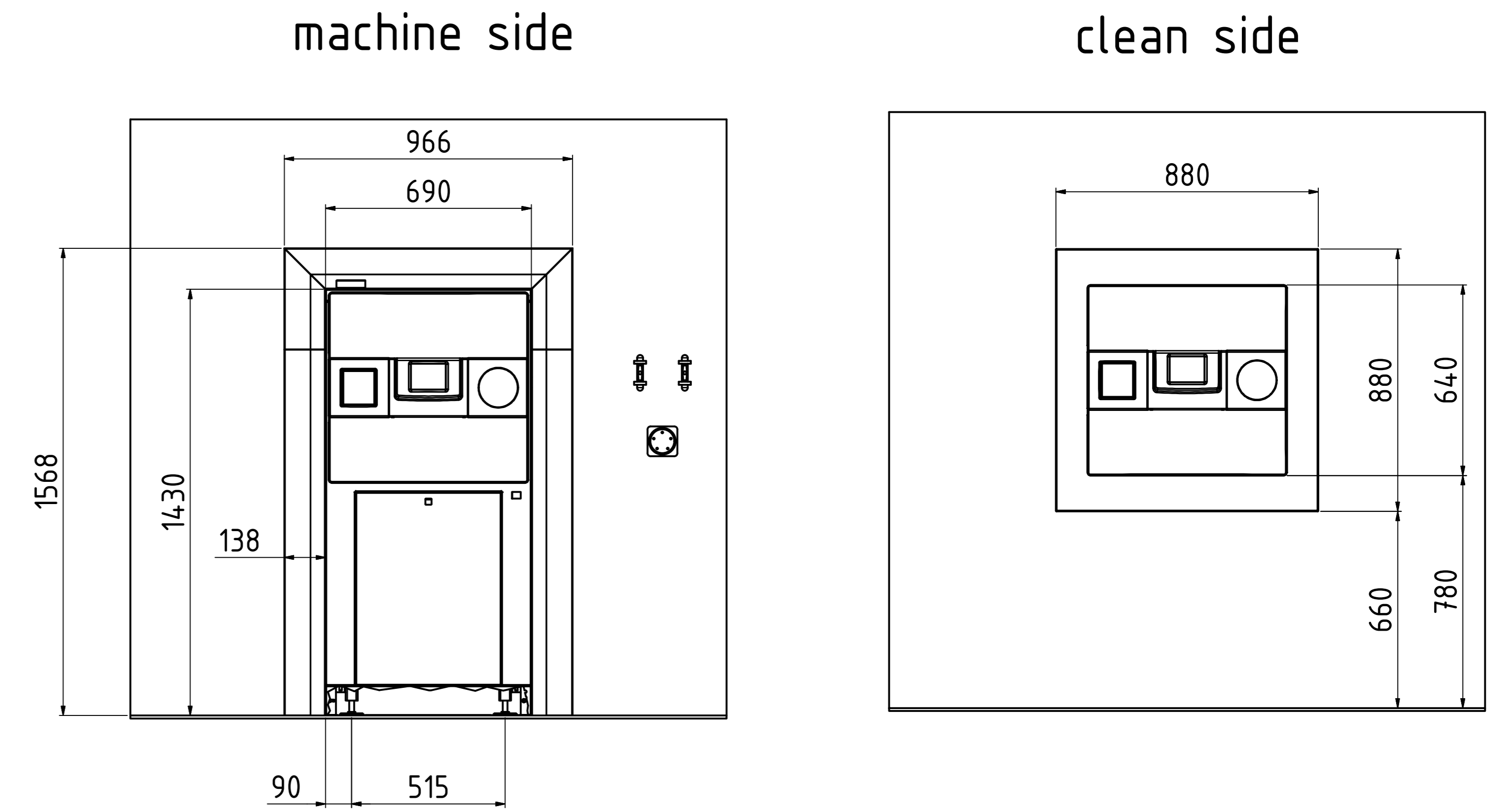
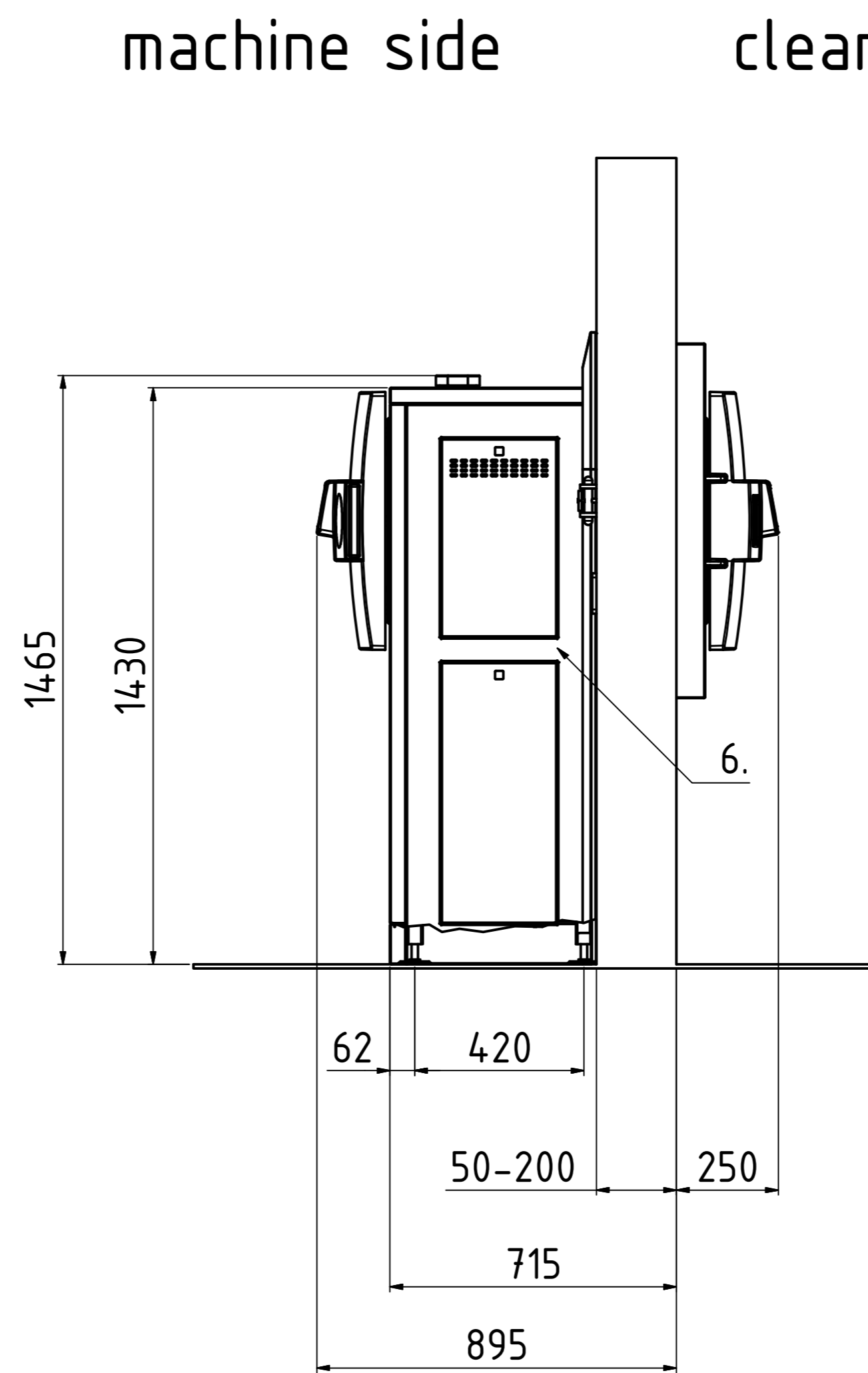
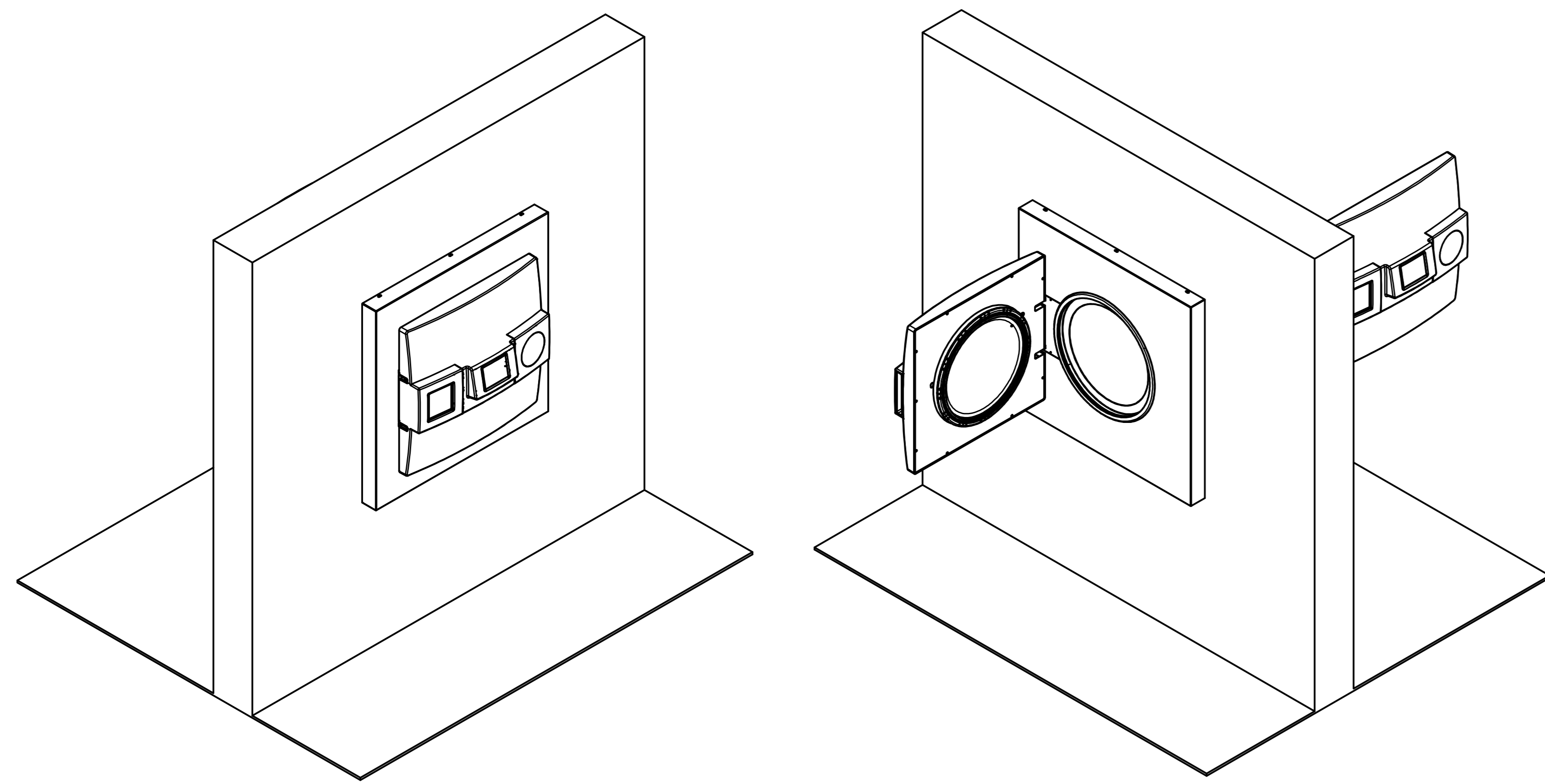
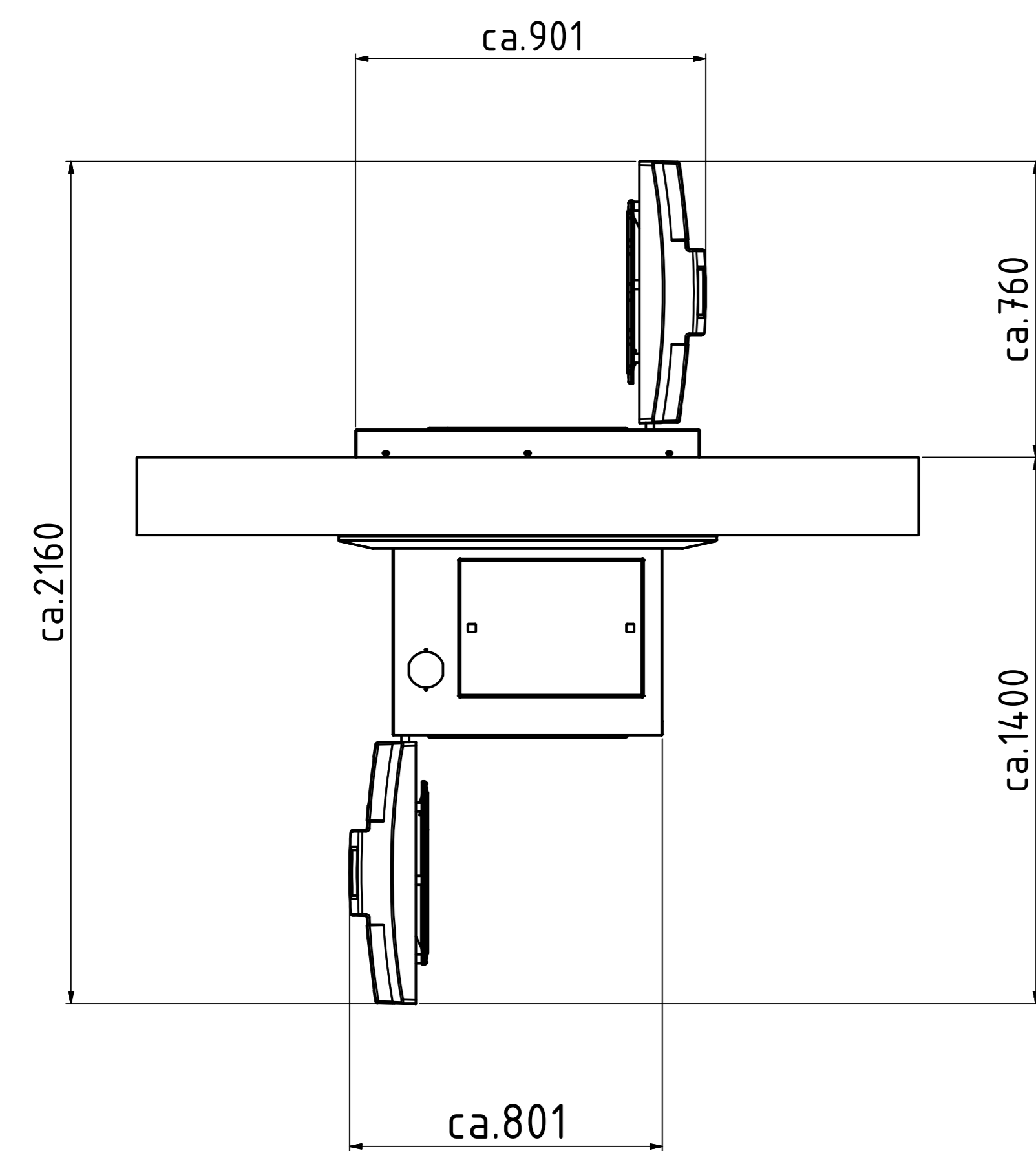


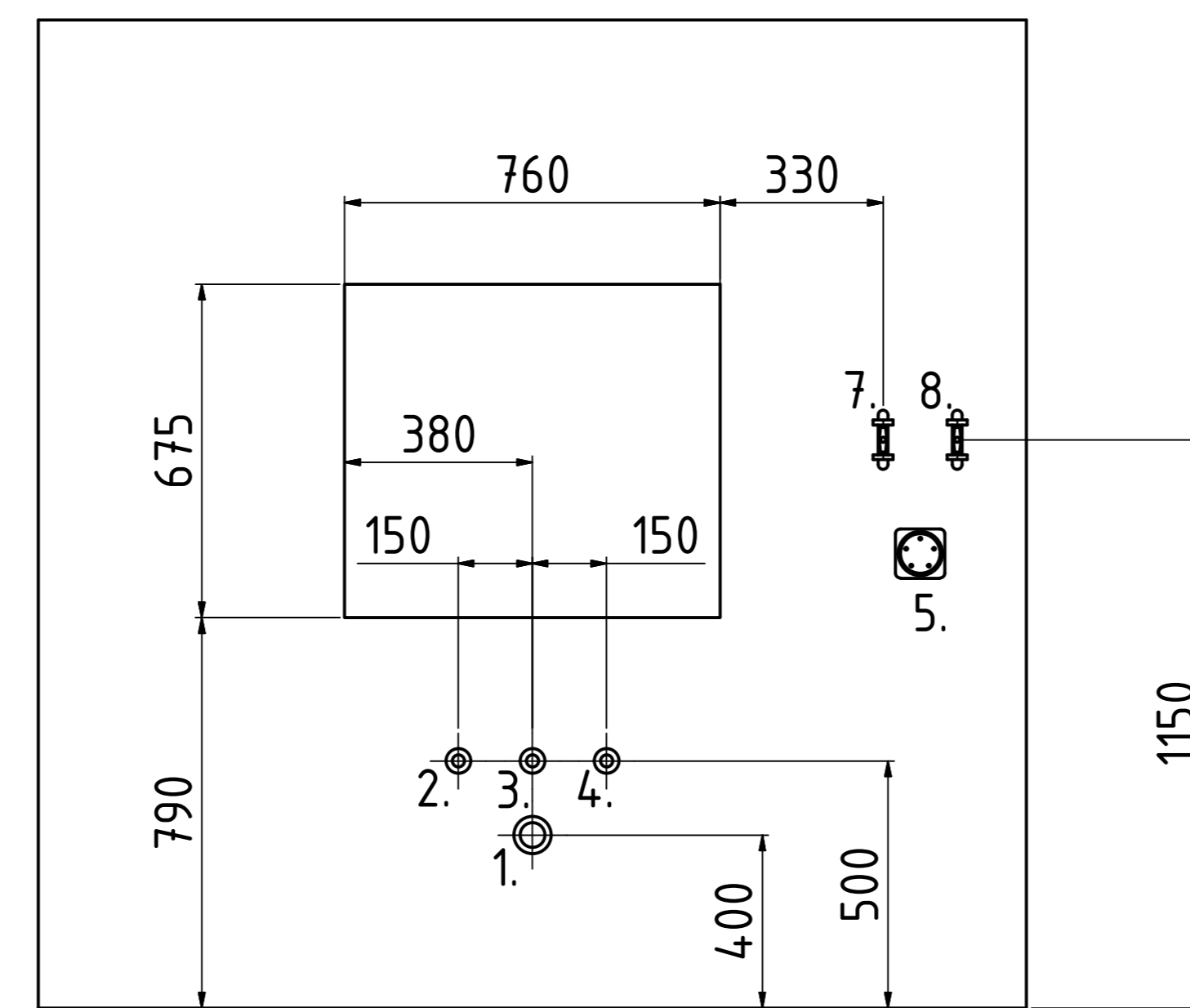
System HX-90-2D



top view / opened



wall opening dimension



Technical data				
No.	Description	Size	HX	Comments
1	Drain	3/4" ET	X	Temperature-resistant installation on site (103°C in case of failure) Temperature controlled at 70°C (setable) Drain height max. ≤ 40cm above the floor
2	Tpb water*	3/4" ET	X	≥ 1bar water pressure Σ alkaline earth ions ≤ 2,0 mmol/l, conductivity max. 300 µS/cm, 11°dH, 200mg/l CaCO3
3	Deminerlized water*	3/4" ET	X	≥ 1bar water pressure Σ alkaline earth ions < 0,02 mmol/l, conductivity: 0,1 - 15 µS/cm
4	Compressed air	NW 7,2	0	min. 3-10bar / 50l/min., ≤ Class 4 according to DIN ISO 8573, Only with "water cooling with support pressure"
5	Power supply* ²		X	3x400V+N+PE / 50/60Hz / 16 Ampere / CEE socket
6	Interface		X	RS-232 / RS-485 (Ethernet network and USB compatible)
7	Tap for tap water			
8	Tap for deminerlized water			

	Art.-No.:	Heat emission	Net weight	Test weight* ³
System HX-90-2D	2096	<700 Watt/h	ca.250 kg	ca.351 kg

X = Standard 0 = Optional -- = Not Available Length dimensions in mm

Contact area of the feet: 5026,5mm² per foot - Total 20106mm² for 4 pieces (Ø80mm)

The required space left and right of the unit for maintenance has to be at least 40cm. - Can be changed upon request!
Position of media connections can be upon on request!

- * Other media connections available on request
- *² Other voltages and single-phase available on request
- *³ Test weight: chamber completely filled with water for pressure test

Allgemein- toleranz ISO 2768 T1-m		Oberfläche	Masstab:	Gewicht:
Datum	Notiz	Werkstoff:	Bemerkung:	
			System HX-Ø400-2D	
Systemc <small>the exclusive company</small>			Zng.-Nr.: AZ 2096 EN	Rev.: 1
			A0	